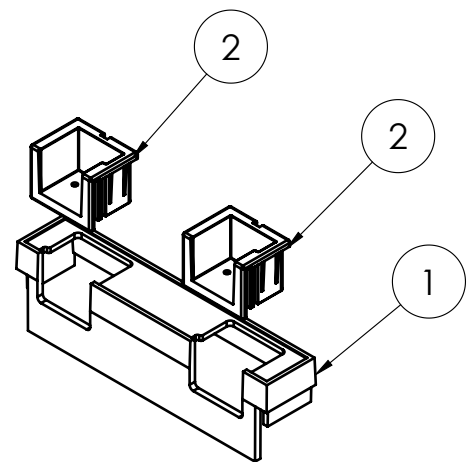
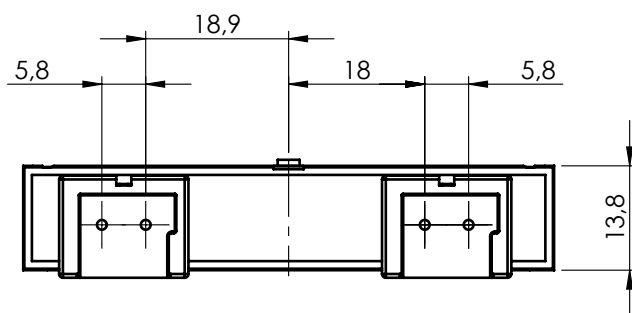
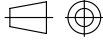



SECTION A-A



RIF.	Q.TY	DRAWING	DESCRIPTION		
1	1	2_250_03638	TERMINAL COVER 4MPN DOUBLE SEAT EIB		
2	2	2_250_03622	EIB UNIVERSAL ACCESSORY		
General Tolerance UNI EN 22768/1 Media (m)					Sheet:
from 0.5 to 3 ± 0.1	from 3 to 6 ± 0.1	from 6 to 30 ± 0.2	from 30 to 120 ± 0.3	from 120 to 400 ± 0.5	1
Scale: 1:1	Drawed: R.N.	Checked: R.N.	Date: 22/08/2022	Material:	Process:
 Dimension in mm	The present drawing cannot be reproduced or communicated to 3rd parties, even partially, without the authorization of ITALTRONIC Srl. Italtronic reserves to protect its own rights according to the law.		Derived from: --	Weight: gr	Cod. Mold: --
 italtronic enclosures for electronics italtronic.com			Description: KIT COPRIMORSETTO 4M - EIB X2 CONNETTORE BUS TERMINAL COVER 4M - EIB X2 BUS CONNECTOR		
Drawing nr.: 3_250_00085				Rev.: 00	A4