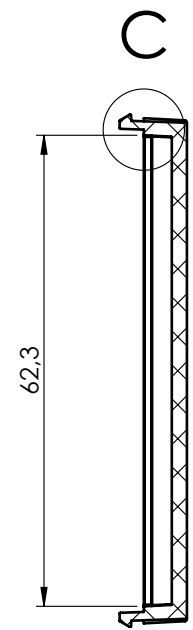
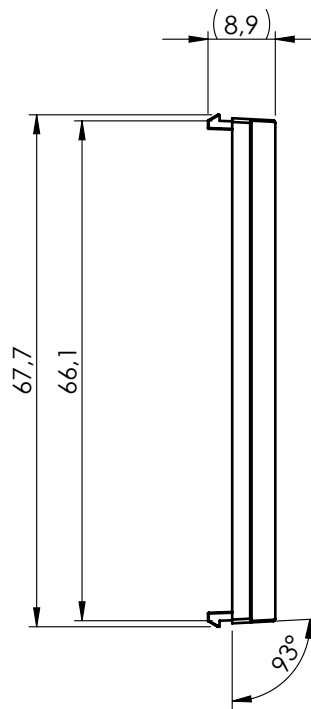
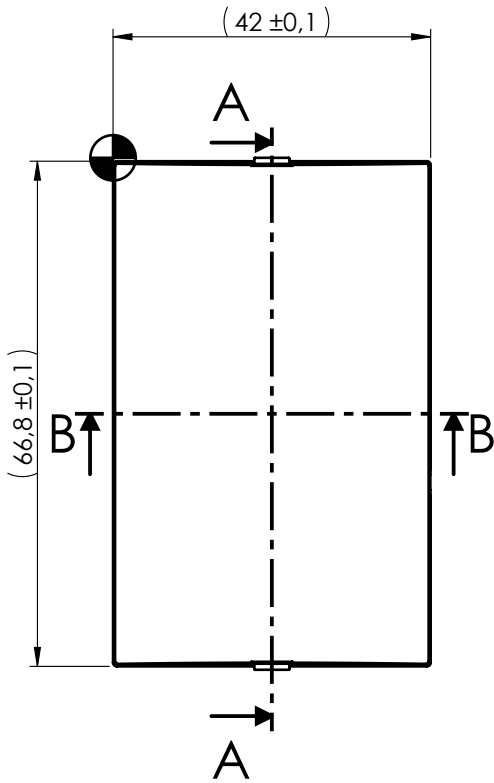
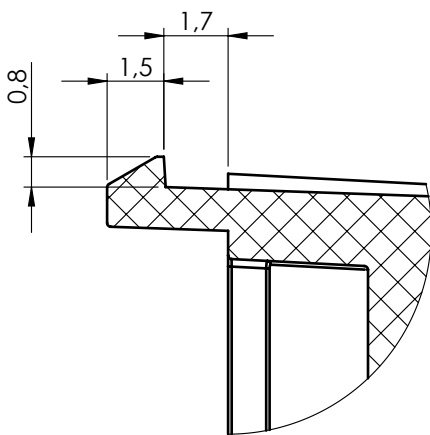


SECTION B-B



SECTION A-A



DETAIL C  
SCALE 5 : 1

General information:

- Workpiece zero point for mechanical processing
- Minimum recommended radius for machining = R1.0 mm

General Tolerance UNI EN 22768/1 Media (m)					Sheet:		
from 0.5 to 3 ± 0.1	from 3 to 6 ± 0.1	from 6 to 30 ± 0.2	from 30 to 120 ± 0.3	from 120 to 400 ± 0.5	1		
Scale: 1:1	Drawn:	Checked: R.N.	Date: 07/06/2023	Material: PC/ABS-PC	Process: INJECTION		
Dimension in mm		Derived from: --	Weight: 7.63 gr		Cod. Mold: ST.0525000		
 enclosures for electronics italtronic.com		Description: PANNELLO CURVO MODULBOX 4M CURVED PANEL MODULBOX 4M				Rev.: 00 A4	
		Drawing nr.: <b>2_250_03715</b>					