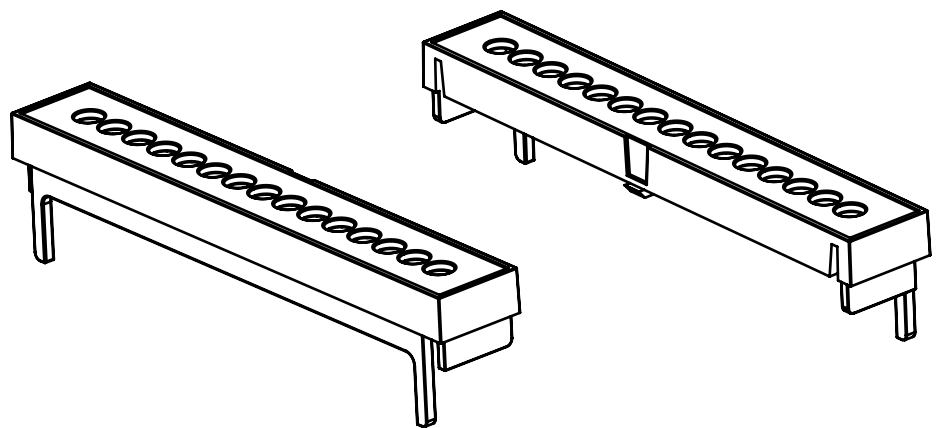

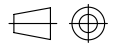



SECTION A-A



## General information:

-  Workpiece zero point for mechanical processing
- Minimum recommended radius for machining = R1.0 mm

| General Tolerance UNI EN 22768/1 Media (m)                                                                                                               |                          |                           |                                                                                                          |                              | Sheet:                |                          |
|----------------------------------------------------------------------------------------------------------------------------------------------------------|--------------------------|---------------------------|----------------------------------------------------------------------------------------------------------|------------------------------|-----------------------|--------------------------|
| from 0.5 to 3<br>$\pm 0.1$                                                                                                                               | from 3 to 6<br>$\pm 0.1$ | from 6 to 30<br>$\pm 0.2$ | from 30 to 120<br>$\pm 0.3$                                                                              | from 120 to 400<br>$\pm 0.5$ | 1                     |                          |
| Scale:<br>1:1                                                                                                                                            | Drawn:<br>M.S.           | Checked:<br>R.N.          | Date:<br>15/06/2023                                                                                      | Material:<br>PC/ABS          | Process:<br>INJECTION |                          |
| Dimension in mm<br>                                                   |                          |                           |                                                                                                          | Derived from:<br>--          | Weight:<br>4.33 gr    | Cod. Mold:<br>ST.05CN002 |
| <br><b>italtronic</b><br>enclosures for electronics<br>italtronic.com |                          |                           | Description:<br>COPRIMORSETTO SPECIALE 5M-CM051 15 VIE 5MP05<br>TERMINAL COVER MODULBOX 5M-CM051 15POLES |                              |                       | Rev.:<br>00              |
| Drawing nr.:<br><b>2_250_03797</b>                                                                                                                       |                          |                           |                                                                                                          |                              | A4                    |                          |