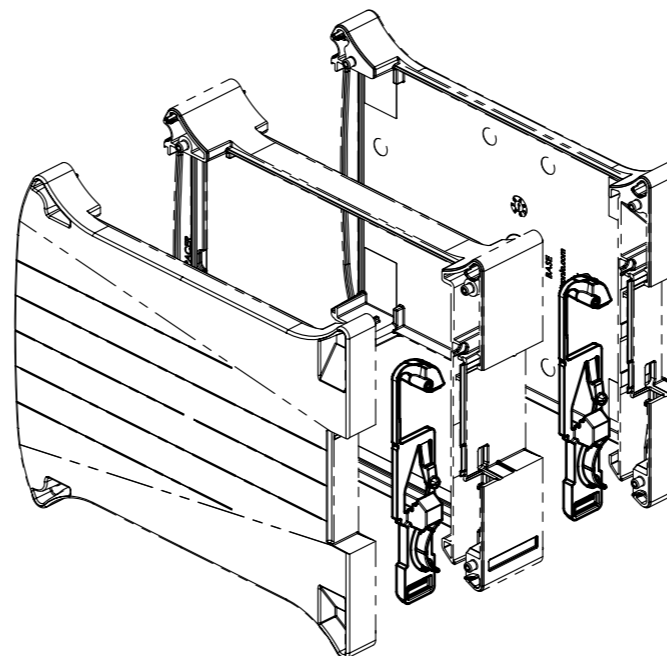
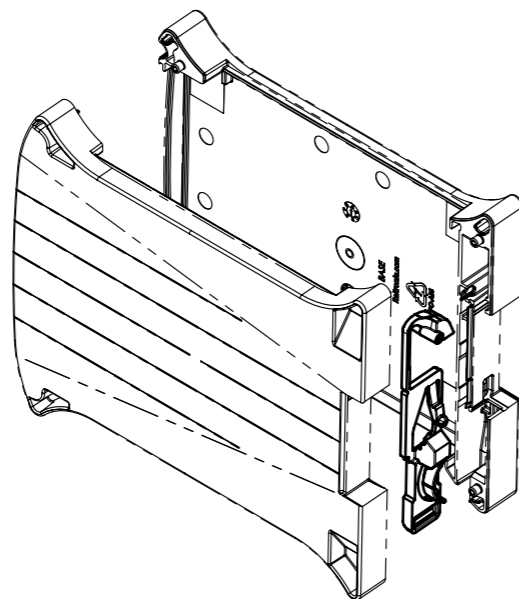
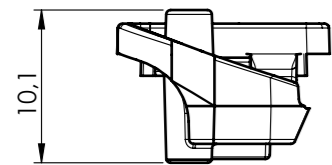


KIT ASSEMBLY 22.5

KIT ASSEMBLY 45



General Tolerance UNI EN 22768/1 Media (m)					Sheet:
from 0.5 to 3 ± 0.1	from 3 to 6 ± 0.1	from 6 to 30 ± 0.2	from 30 to 120 ± 0.3	from 120 to 400 ± 0.5	1
Scale: 2:1	Drawed: R.N.	Checked: R.N.	Date: 05/11/2024	Material: PC/ABS	Process: INJECTION
Dimension in mm	The present drawing cannot be reproduced or communicated to 3rd parties, even partially, without the authorization of ITALTRONIC S.p.A. Italtronic reserves to protect its own rights according to the law.			Weight: 1.34 gr	Cod. Mold: ST.10001020
italtronic enclosures for electronics italtronic.com		Description: GANCIO RAILBOX XT HOOK RAILBOX XT Drawing nr.: 2_110_00136		Rev.:	A3
				00	