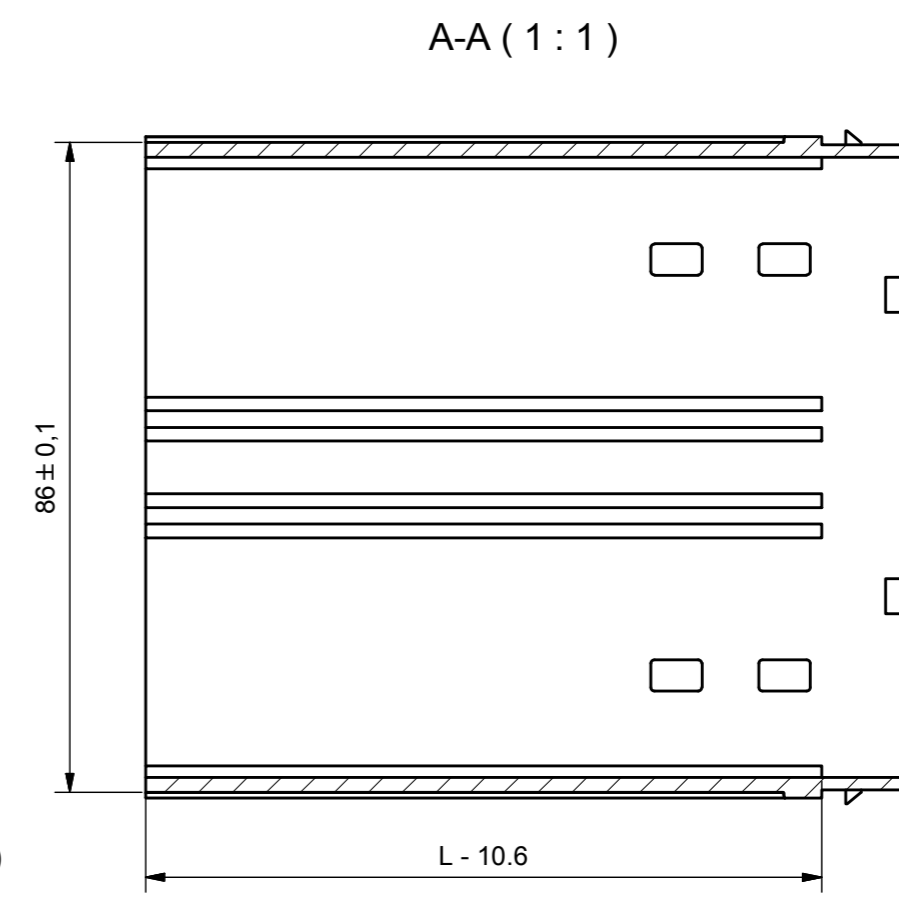
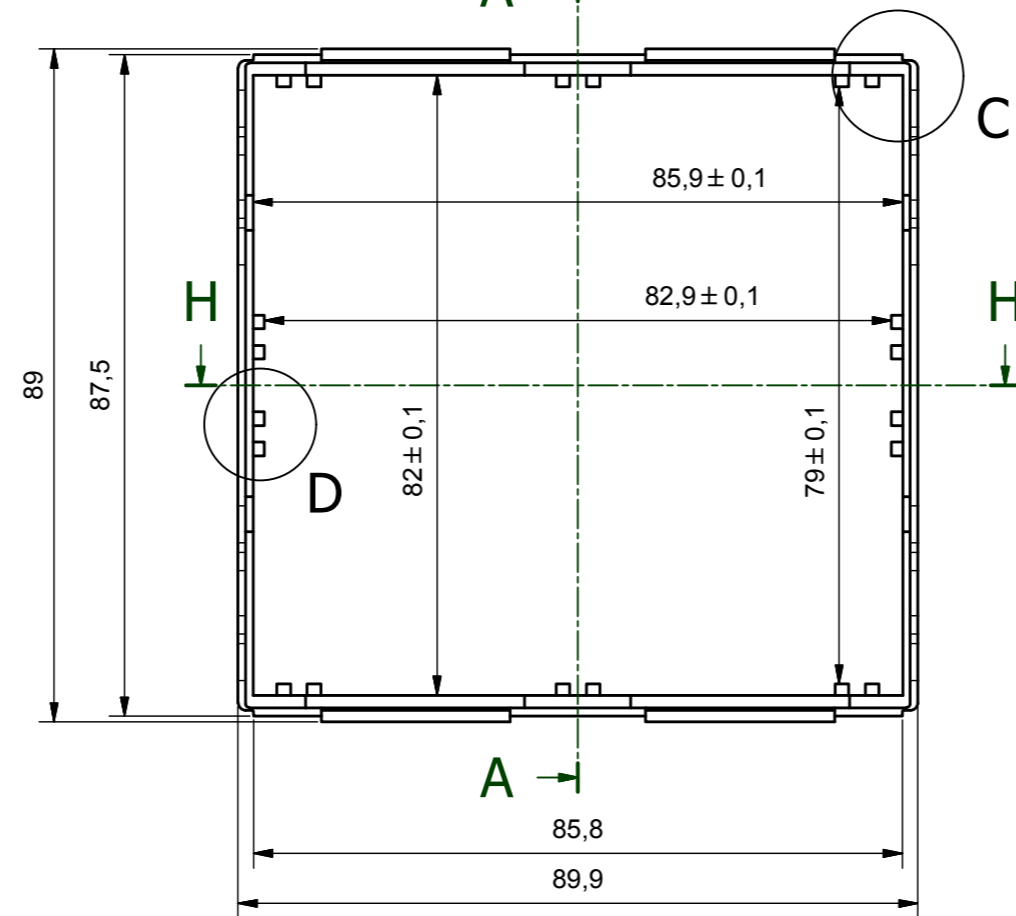
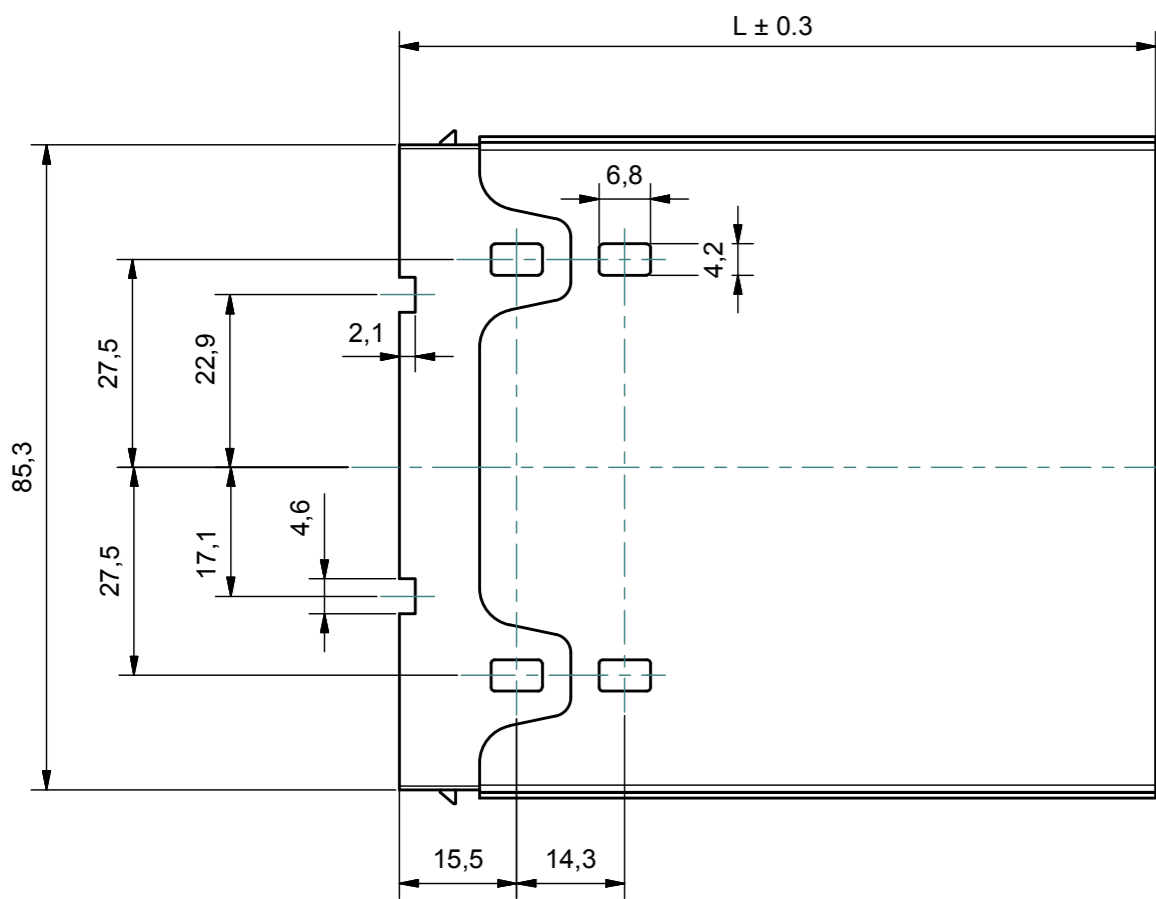
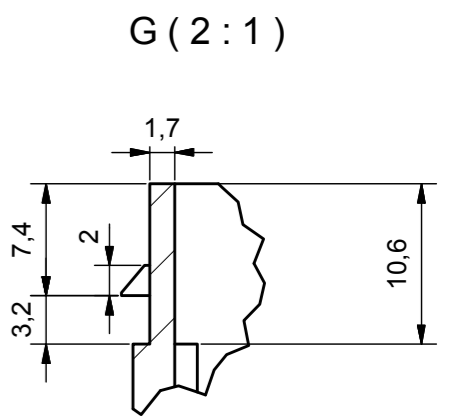
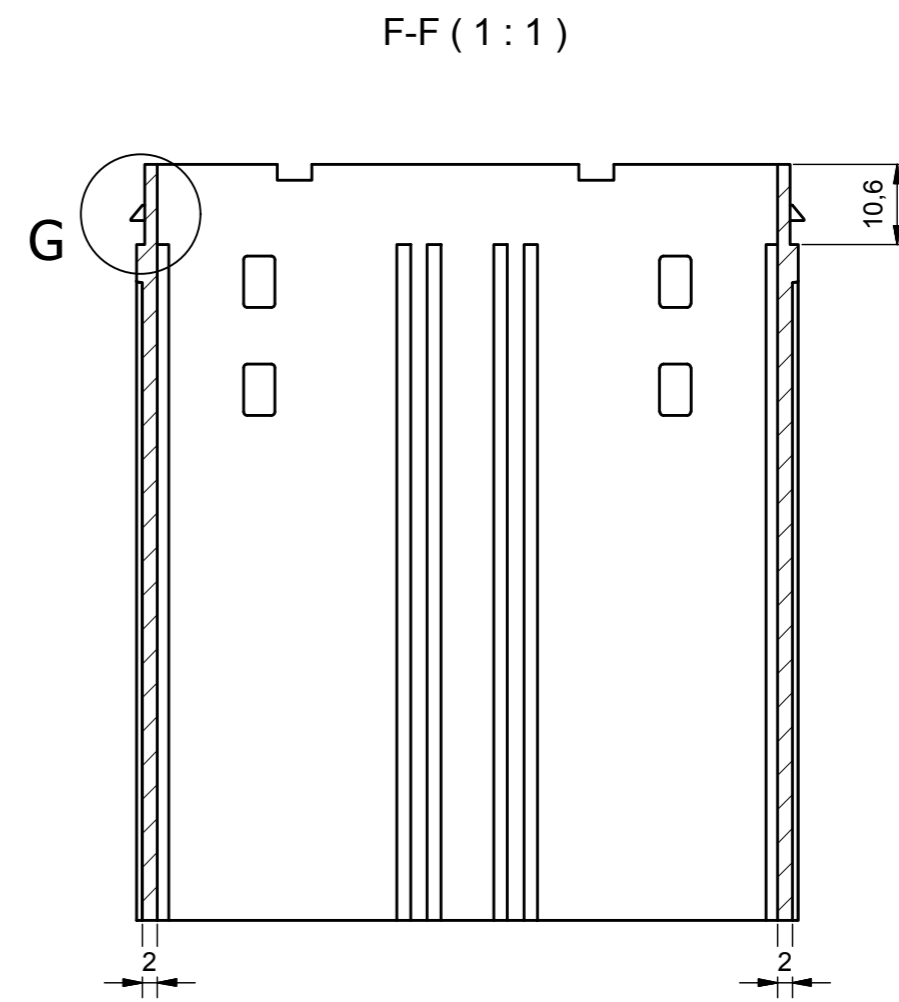
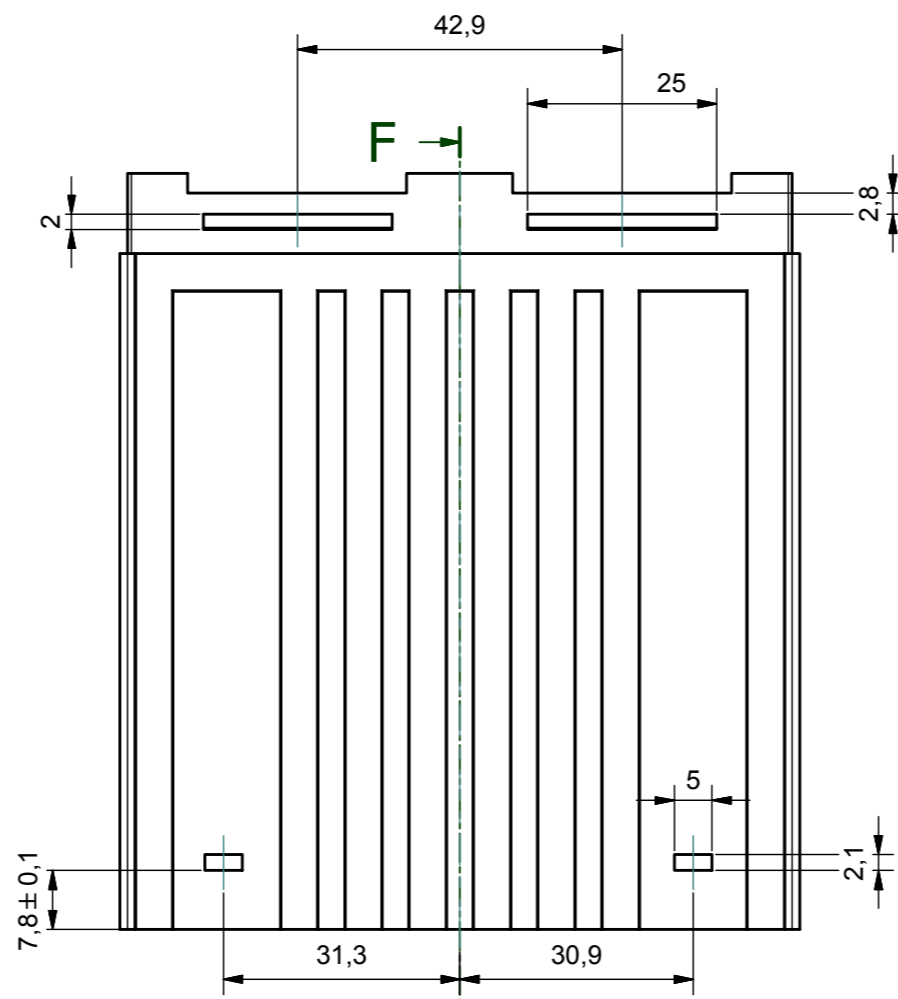
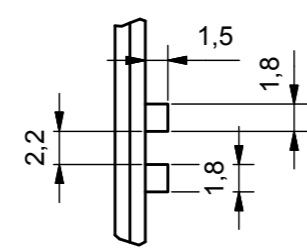


Different length of different enclosure:

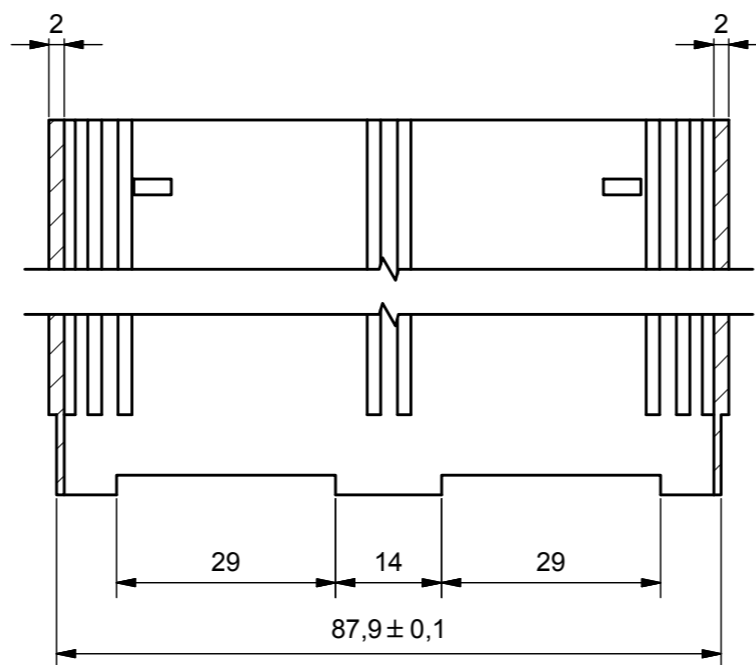
- L=50 mm
- L= 57 mm
- L= 75 mm
- L= 100 mm
- L= 124 mm
- Lxxx= 104 Max



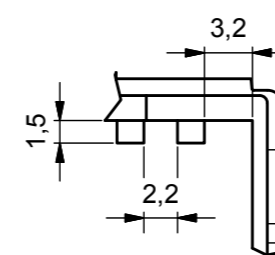
D (2 : 1)



H-H (1 : 1)



C (2 : 1)



| | | | | |
|---|------------------|-------------------------|---------------------|---|
| Da 0,5 a 3 | Oltre 3 fino a 6 | Oltre 6 fino a 30 | Oltre 30 fino a 120 | Oltre 120 |
| ± 0,1 | ± 0,1 | ± 0,2 | ± 0,3 | ± 0,5 |
| RESERVED PROPERTY The present drawing cannot be reproduced or communicated to 3d parties, even partially, without the authorization of ITALTRONIC Srl. Italtronic reserves to protect its own rights according to the law. | | Dimension in mm | SHEET NR. 1 / 1 | DRAWING BY Manual modification are not allowed |
| Date: 13/06/2014 | | Replace nr. I-01112-05 | | Revision description |
| Drawed: Rigato N. | | Checked: Dalla Montà D. | | 5 4 3 2 1 |



Denomination:
Corpo Incabox 96x96 XT
Body Incabox 96x96 XT

ITALTRONIC S.R.L.
VIA AUSTRIA 25/D 35127
PADOVA - ITALY
www.italtronic.com

Drawing nr.
I-05471-00