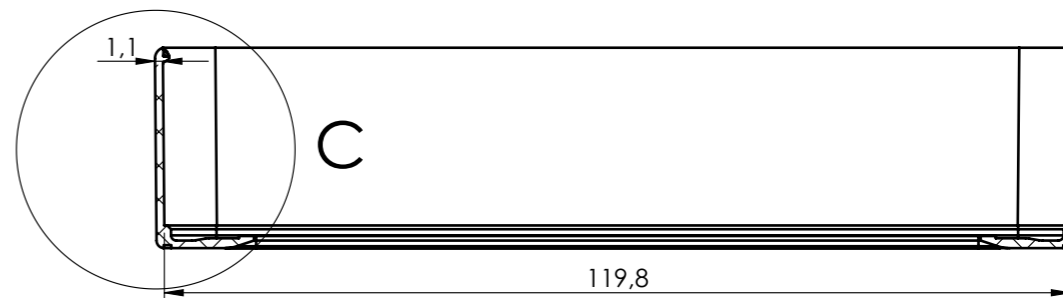
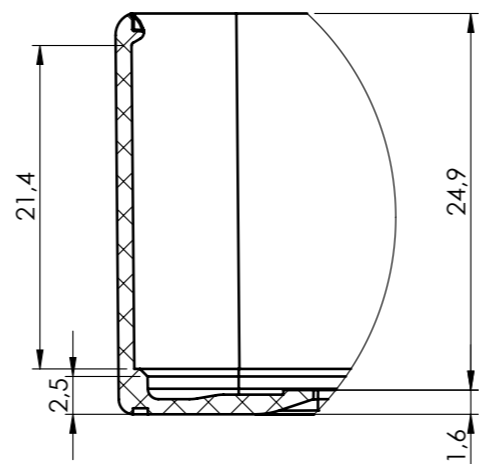
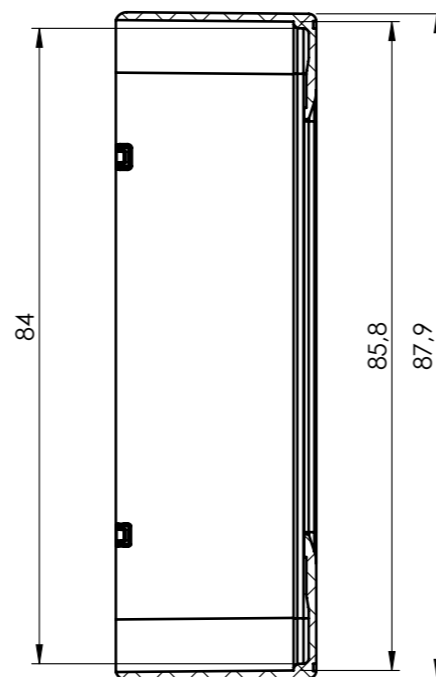
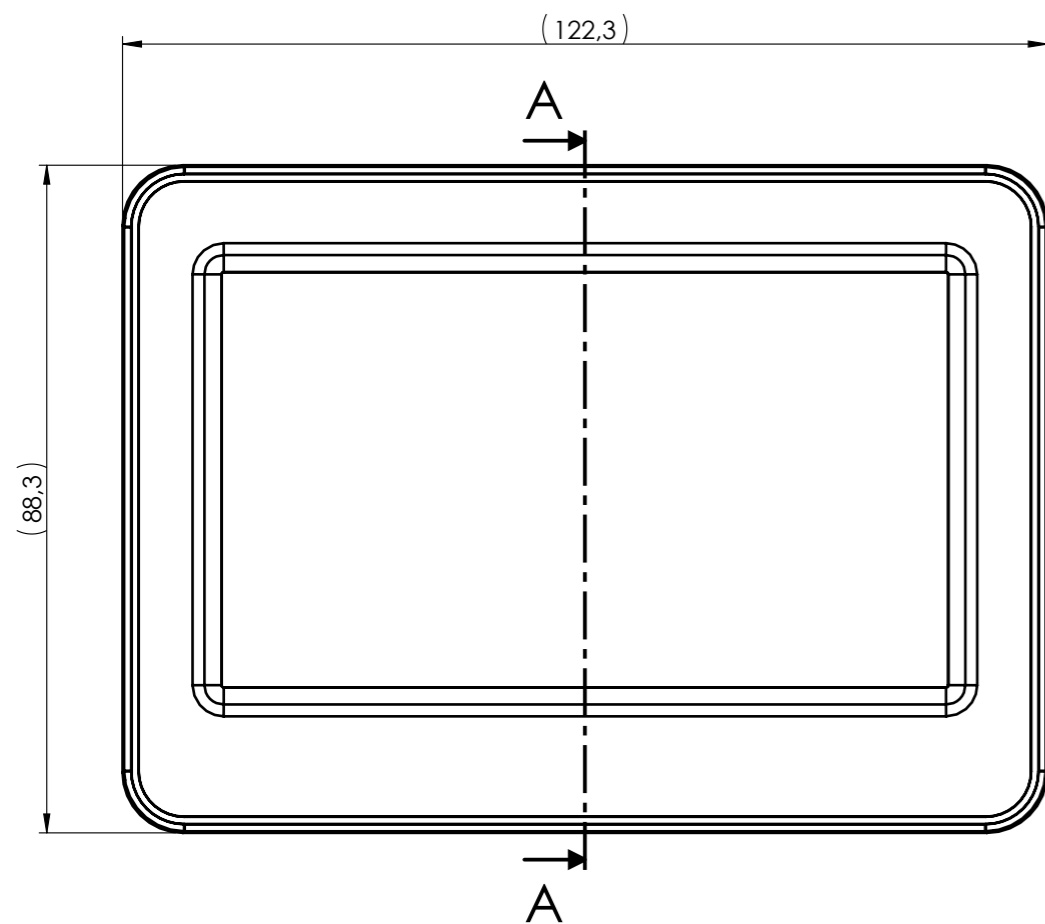


8 7 6 5 4 3 2 1

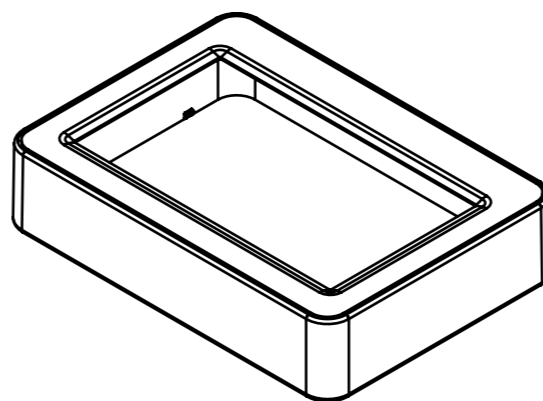
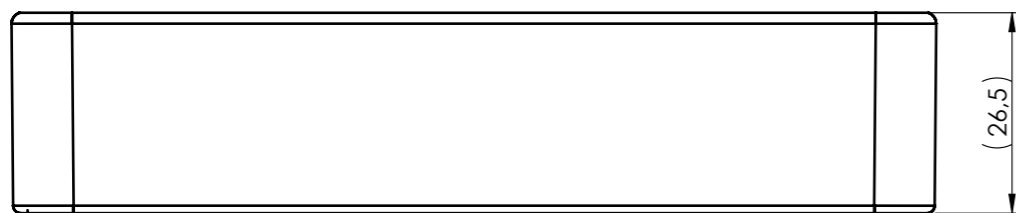
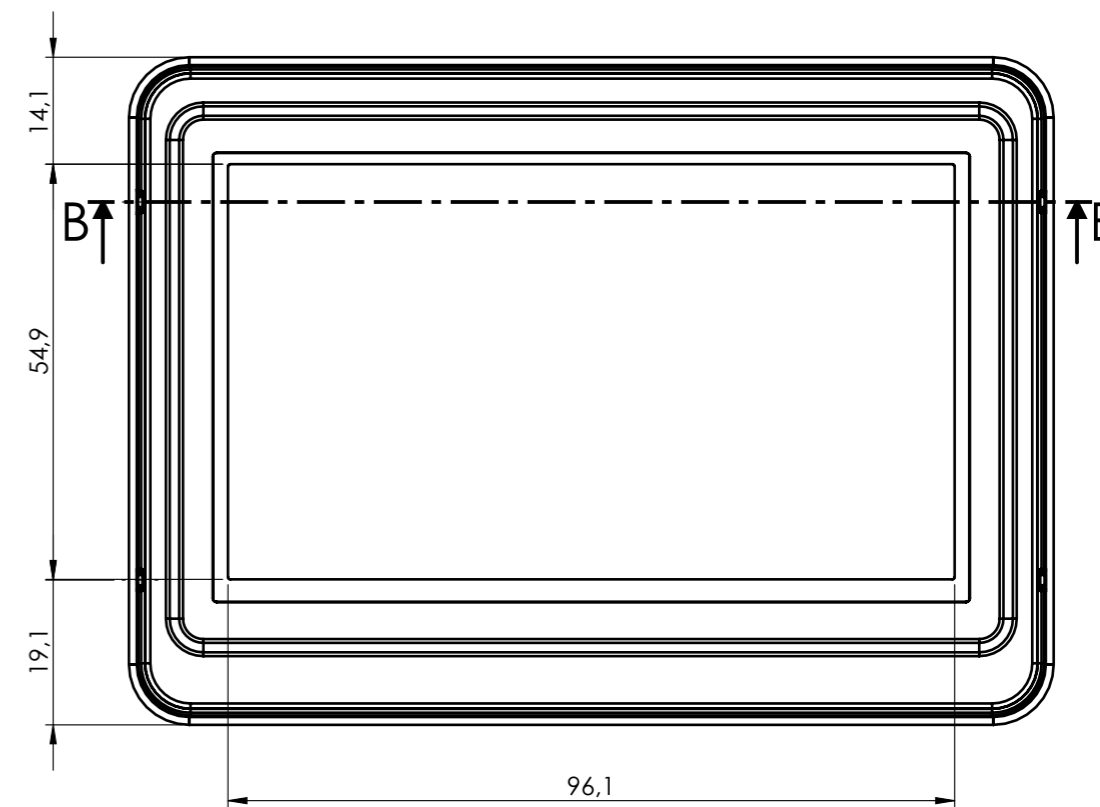
DETAIL C




SECTION B-B



SECTION A-A



General Tolerance UNI EN 22768/1 Media (m)					Sheet:
from 0.5 to 3 ± 0.1	from 3 to 6 ± 0.1	from 6 to 30 ± 0.2	from 30 to 120 ± 0.3	from 120 to 400 ± 0.5	1
Scale: 1:1	Drawn: R.N.	Checked: R.N.	Date: 11/03/2023	Material: ABS	Process: INJECTION
Dimension in mm		Derived from: --	Weight: 17.28 gr		Cod. Mold: ST.1400230
 enclosures for electronics italtronic.com		Description: ANELLO ITOUCH STD SHAPE H25 ITOUCH STD SHAPE RING H25			Drawing nr.: 2_010_00058
				Rev.: 00	A3